



# PondSeries® Fountain

Superior Performance, Stunning Displays



## PREMIUM DISPLAYS

- Crisp spray patterns provide a beautiful aerating display
- Airmax exclusive quick-change nozzles can be switched out in seconds
- Low-profile, drop-in style, float design keeps the fountain steady and balanced in water
- Includes 3 spray patterns. Additional premium nozzles available

## LONG-LASTING DURABILITY

- Stainless-steel Continuous Duty Water Cooled Motor is maintenance-free, providing long-lasting performance without annual maintenance costs
- Independent Pump System for longevity and protection against wear to motor, shaft and seals
- Integrated Cooling Shroud for maximum motor life and efficiency
- Stainless-steel motor lead protects against damage from debris or animal chewing
- Power cord strain relief keeps connections secure
- Oversized modular intake screen prevents clogging

## SUPERIOR PERFORMANCE

- Bottom-draw design pulls water from deeper in the pond for better aeration
- More performance with lower operating cost than comparable fountains
- High-quality control panels, with standard dual digital timers to accommodate fountain and lights
- 3-year warranty on unit and control panel

## ADDITIONAL OPTIONS

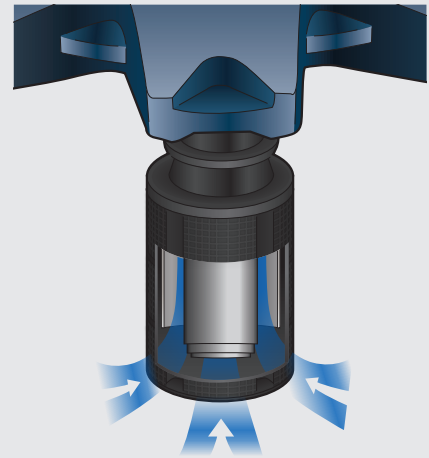
- Optional RGBW light sets bring your fountain to life at night
- Stainless-steel or Polyflex power cord protection



Top Down View of Float and Quick-Change Nozzle



Bottom-Draw Design Pulls Water From Deeper in the Pond and Through the Integrated Cooling Shroud



Airmax Control Panel Comes Standard with Dual Digital Timers for Both Fountain & Lights





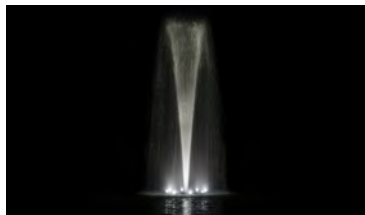
**Crown & Trumpet  
INCLUDED SPRAY PATTERN**

PondSeries Pattern Dimensions		
HP	Trumpet	Crown
1/2 HP	8' H x 6' W	4.5' H x 32' W
1 HP	11' H x 6' W	4.5' H x 32' W
2 HP	13' H x 8' W	6.5' H x 38' W



**Trumpet  
INCLUDED SPRAY PATTERN**

PondSeries Pattern Dimensions	
HP	H x W
1/2 HP	12.5' H x 5' W
1 HP	16' H x 6' W
2 HP	17' H x 7' W



**Classic  
INCLUDED SPRAY PATTERN**

PondSeries Pattern Dimensions	
HP	H x W
1/2 HP	5.5' H x 13' W
1 HP	9.5' H x 23' W
2 HP	14' H x 28' W





**Double Arch & Geyser**  
**OPTIONAL SPRAY PATTERN**

PondSeries Pattern Dimensions			
HP	Geyser	1st Tier	2nd Tier
1/2 HP	9' H	6' H x 7' W	4' H x 28' W
1 HP	8.5' H	5.5' H x 13' W	4' H x 30' W
2 HP	9.5' H	6' H x 15' W	4' H x 32' W



**Single Arch**  
**OPTIONAL SPRAY PATTERN**

PondSeries Pattern Dimensions	
HP	H x W
1/2 HP	9' H x 14' W
1 HP	8' H x 22' W
2 HP	9' H x 24' W





**Double Arch**  
**OPTIONAL SPRAY PATTERN**

PondSeries Pattern Dimensions		
HP	1st Tier	2nd Tier
1/2 HP	8' H x 8' W	4.5' H x 28' W
1 HP	9' H x 10' W	5' H x 34' W
2 HP	10' H x 10' W	5.5' H x 36' W



**Blossom (Crown & Arch)**  
**OPTIONAL SPRAY PATTERN**

PondSeries Pattern Dimensions		
HP	1st Tier	2nd Tier
1/2 HP	5' H x 7' W	2' H x 13' W
1 HP	6.5' H x 10' W	2' H x 19' W
2 HP	8.5' H x 10' W	2.5' H x 22' W

